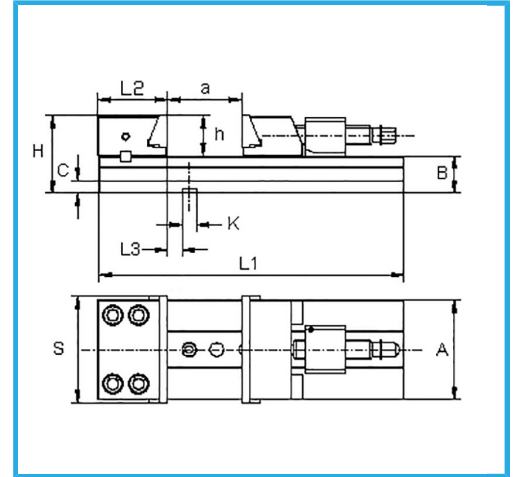
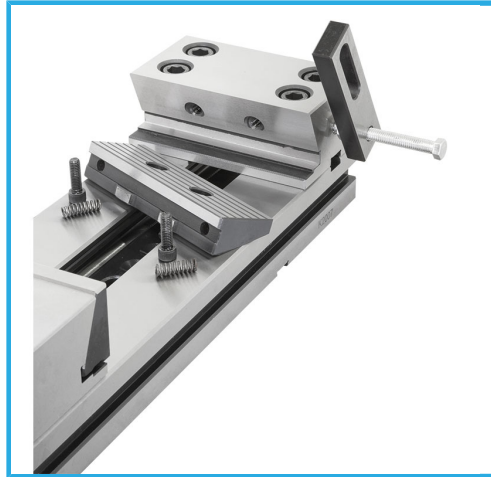
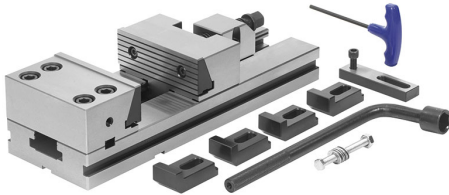


SUITABLE FOR JOBS WHERE PRECISION, RELIABILITY, AVAILABILITY AND SECURE LOCKING ARE REQUIRED. SUITABLE FOR PRECISION MILLING AND..



<b>Jaw dimensions</b>	125 x 50h mm
S	125 mm
A	125 mm
B	40 mm
C	15 mm
H	90 mm
L1	350 mm
L2	80 mm
L3	25,6 mm
h	50 mm
K h7	16 mm
a	150 mm
<b>Net weight</b>	19 kg
<b>Packaging dimensions</b>	445x185x140 h mm
<b>Gross weight</b>	20,10 kg
<b>EAN Code</b>	8012667201173



Wooden Box



Tempered



Steel



Grounded