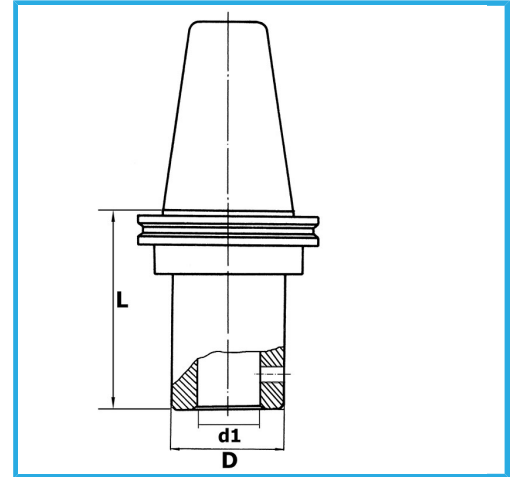


BALANCED CHUCK BODY



€74,00



ISO	40
d1 - h6	20 mm
D	52 mm
L	63 mm
Balancing rpm	12000
EAN Code	8012667195830

 DIN 69871/A