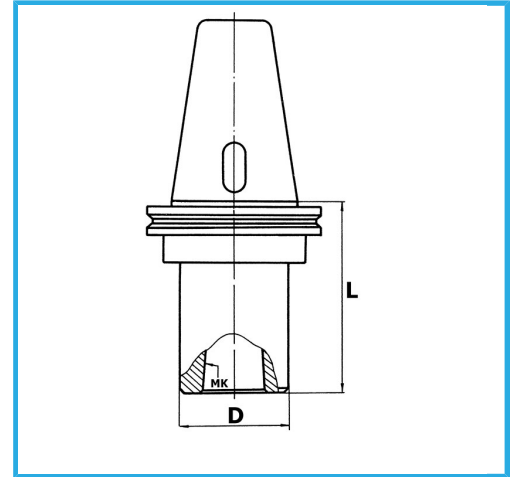



BALANCED CHUCK BODY



€127,00



ISO	50
MT	4
D	48 mm
L	95 mm
Balancing rpm	12000
EAN Code	8012667007881

 DIN 69871/A