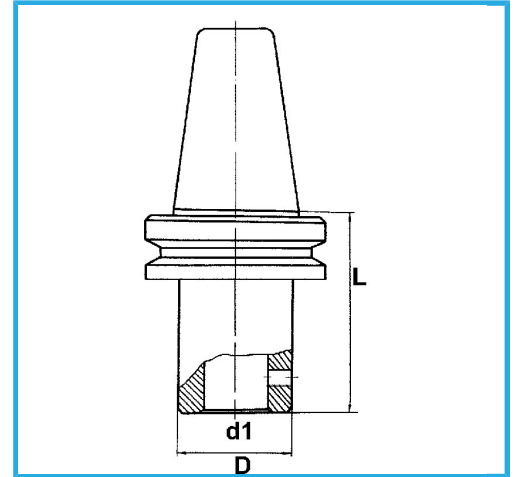



BALANCED CHUCK BODY



€106,00



BT	50
d1 - h6	6 mm
D	25 mm
L	65 mm
Balancing rpm	12000
EAN Code	8012667193058

 MAS - 403  
BT