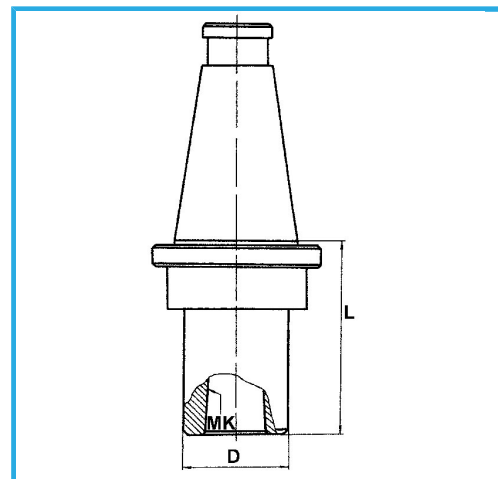


BALANCED CHUCK BODY



€109,00



ISO	40
MT	4
D	50 mm
L	94 mm
Balancing rpm	2000
EAN Code	8012667008239

 DIN 2080