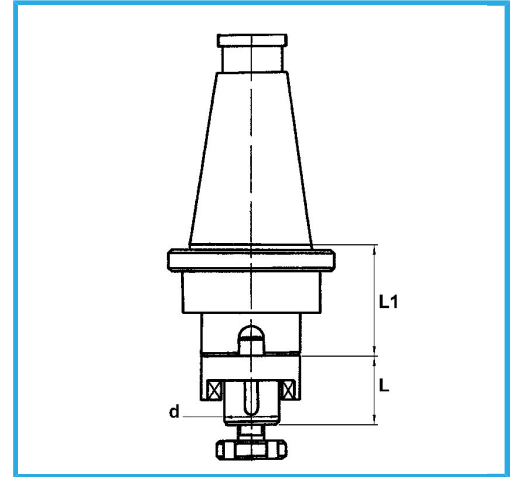


DIN 2080, BALANCED CHUCK BODY, FOR CYLINDRICAL END MILLS
ACCORDING TO DIN 481, FOR MILLING CUTTERS WITH LONGITUDINAL
GROOVE DIN...



ISO	40
d - h6	22 mm
L	31 mm
L1	39 mm
Gross weight	1,53 kg
Packaging dimensions	200x70x70 h mm
EAN Code	8012667008291



Box



Grounded



18Ni
CrMo5

-