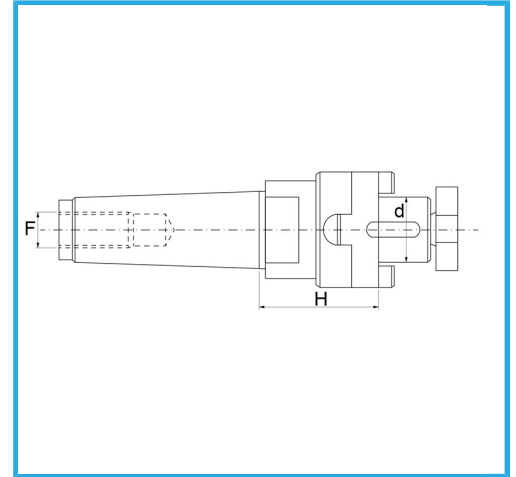


ART. 16/CM3
TAPER SHANK SHELL END MILL ADAPTER



DIN 228/A FOR CYLINDRICAL END MILLS ACCORDING TO DIN 481, FOR MILLING CUTTERS WITH LONGITUDINAL GROOVE DIN 1880 AND FOR INSERT...



d - h6	16 mm
Spindle taper MT	3
F	M 12
H	40 mm
Gross weight	0,66 kg
EAN Code	8012667179601



Box



Grounded



18Ni
CrMo5

-